

# SJ3220/26

## ELECTRIC SCISSORS



### STANDARD FEATURES

- Drivable at full height
- Integrated SKYCODED™ control and overload system
- On-board visual interface with diagnostic capabilities
- Standard Skyjack colour coded and numbered wiring
- Shroud style, impact resistant composite control box with extended cable
- Proportional controls for drive and lift functions
- Tilt alarm (3.5° x 1.5°) with drive and lift cut-out
- Swing out cabinets for easy access
- 24V DC Power with low voltage battery protection
- Universal smart charger
- Variable speed, rear two wheel hydraulic drive
- Solid rubber, non-marking tyres
- 25% Gradeability
- Dual SAHR holding brakes
- 0.91 m Roll out extension deck
- Fold down hinged railings
- Half height spring hinged entry gate
- Lanyard attachment points
- Wiring for AC outlet at platform
- Pothole protection system
- Forklift pockets and tie down/lift lugs
- Single point emergency lowering
- Arm guard with slow close descend
- Flashing light
- Operator horn
- Telematics ready

### OPTIONS

- Light duty pipe rack
- Heavy duty pipe rack
- Board carrier
- Tool caddy
- All motion audible alarm
- Dual flashing lights
- Lockable swingout trays
- 250 Ah Batteries
- AGM Batteries (140 Ah)
- Full height spring hinged entry gate
- Bio oil
- Secondary Guarding Lift Enable (SGLE)
- ELEVATE telematics
- ELEVATE Battery Management System (BMS)\*

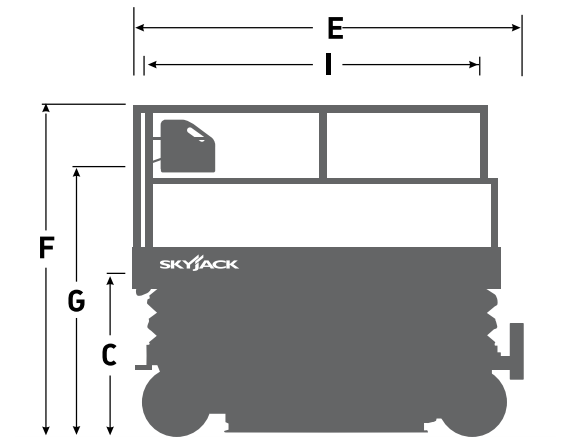
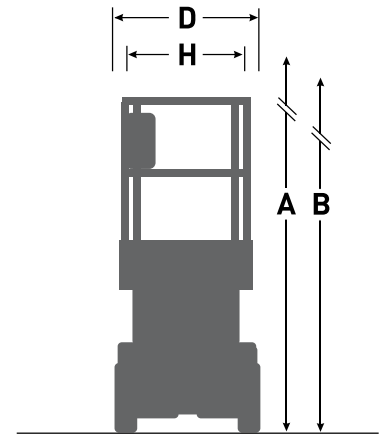
† Standard lead times may be increased when optional equipment is added, consult factory.

‡ Capacities and machine weights may differ when options are added.

\* Only available with ELEVATE telematics

# SJ3220/26 ELECTRIC SCISSORS

Dimensions	SJ3220	SJ3226
<b>A</b> Work Height	8.10 m	9.92 m
<b>B</b> Raised Platform Height	6.10 m	7.92 m
<b>C</b> Lowered Platform Height	0.99 m	1.17 m
<b>D</b> Overall Width	0.84 m	0.84 m
<b>E</b> Overall Length	2.32 m	2.32 m
<b>F</b> Stowed Height (Rails Up)	2.10 m	2.29 m
<b>G</b> Stowed Height (Rails Down)	1.75 m	1.93 m
<b>H</b> Platform Width (Inside Dimension)	0.71 m	0.71 m
<b>I</b> Platform Length (Inside Dimension)	2.11 m	2.11 m
Specifications	SJ3220	SJ3226
Extension Deck (Roll Out)	0.91 m	0.91 m
Ground Clearance (Pothole Raised)	10.2 cm	10.2 cm
Ground Clearance (Pothole Deployed)	1.3 cm	1.3 cm
Wheelbase	1.75 m	1.75 m
Weight	1,967 kg	2,014 kg
Gradeability	25%	25%
Turning Radius (Inside)	1.09 m	1.09 m
Turning Radius (Outside)	2.64 m	2.64 m
Lift Time (With Rated Load)	28 sec	47 sec
Lower time (With Rated Load)	24 sec	32 sec
Drive Speed (Stowed)	3.7 km/h	3.7 km/h
Drive Speed (Raised)	1.0 km/h	1.0 km/h
Maximum Drive Height	Full Height	Full Height
Capacity (Overall)	408 kg	227 kg
Distributed Capacity (Main Platform)	272 kg	114 kg
Distributed Capacity (Extension Deck)	136 kg	113 kg
Local Floor Load (With Rated Load)	749 kN/m <sup>2</sup>	718 kN/m <sup>2</sup>
Overall Floor Load (With Rated Load)	1,314 kg/m <sup>2</sup>	1,240 kg/m <sup>2</sup>
Maximum # of persons at 0 m/s wind rating	2	2
Maximum # of persons up to 12.5 m/s wind rating	1	0
Tyre Type	Solid, N/M	Solid, N/M
Tyre Size	16 x 5 x 12	16 x 5 x 12



[www.skyjack.com](http://www.skyjack.com)

Skyjack UK  
Unit 1, Maes-y-Clawdd  
Maesbury Road Industrial Estate  
Oswestry, Shropshire, SY10 8NN  
Tel: +44 1691 676235  
Fax: +44 1691 676239  
Email: info@skyjackeurope.co.uk

Skyjack SAS (France)  
74 Rue Sibert  
F-42400 Saint Chamond  
France  
Tel: +33 (0) 4 78 73 53 32  
Fax: +33 (0) 4 78 56 52 42

Skyjack Hebebühnen GmbH  
(Germany)  
Därmanbusch 2a  
D-58456 Witten  
Tel: +49 (0) 2302 20 26 909  
Fax: +49 (0) 2302 20 25 671

Skyjack AB (Sweden)  
Agnesbergsvägen 28  
424 38 Agnesberg  
Sweden  
Tel: +46 (0) 31 21 22 45  
Fax: +46 (0) 31 787 65 10

**SKYJACK**  
simply reliable